



## VD6

### 38MM CABINET DOOR STRIP HANDLE

**Applications:**

**Fitting:**

Cabinet doors and drawer fronts  
Vertical mounting for cabinet doors  
(\*if mounted top or bottom of hinged doors, check clearance on the door in the open position)  
Top or bottom mounting for flap doors or drawer fronts

**Handle Finishes:**

Standard:

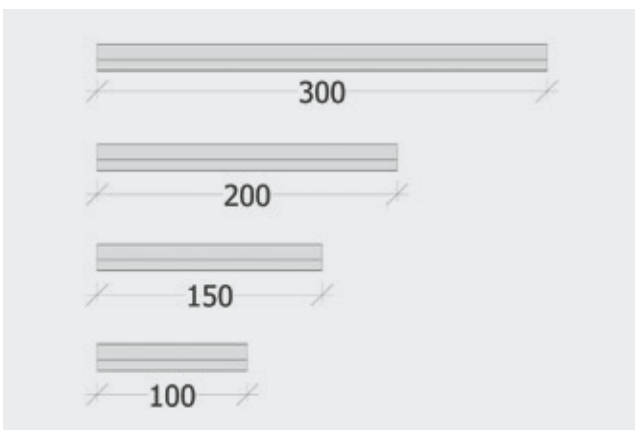
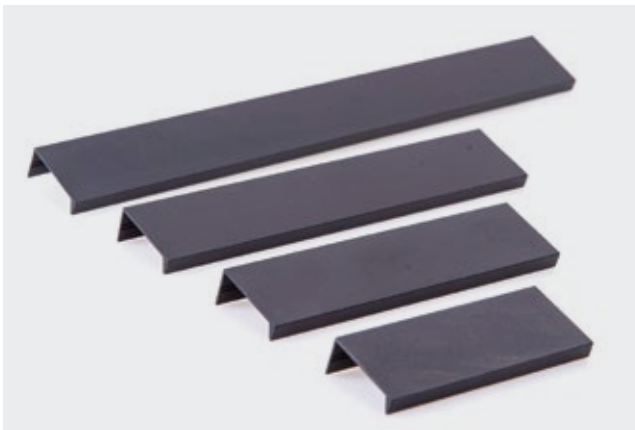
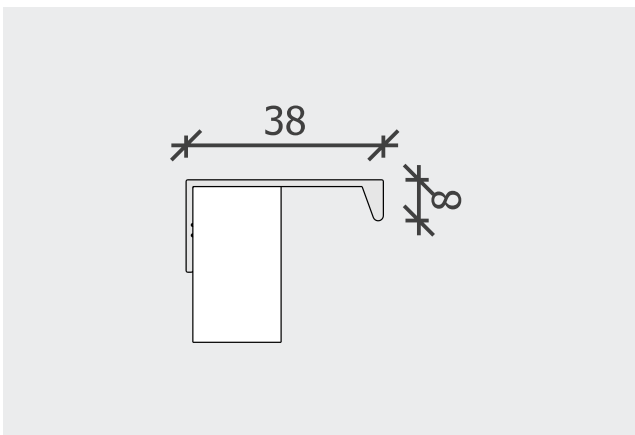


On Request:



**Availability:**

3m lengths or  
**CUSTOM - Cut, Predrilled & finished to your specific sizes and spec**



### STANDARD SIZE HANDLES AVAILABLE PRE PACKS, READY TO FIT

CODE	DETAILS
VD6_100ALU	38mm x 100mm handle - Aluminium
VD6_100BLK	38mm x 100mm handle - Black
VD6_150ALU	38mm x 150mm handle - Aluminium
VD6_150BLK	38mm x 150mm handle - Black
VD6_200ALU	38mm x 200mm handle - Aluminium
VD6_200BLK	38mm x 200mm handle - Black
VD6_300ALU	38mm x 300mm handle - Aluminium
VD6_300BLK	38mm x 300mm handle - Black